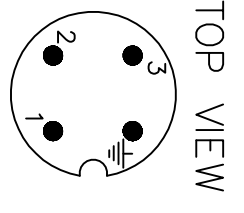
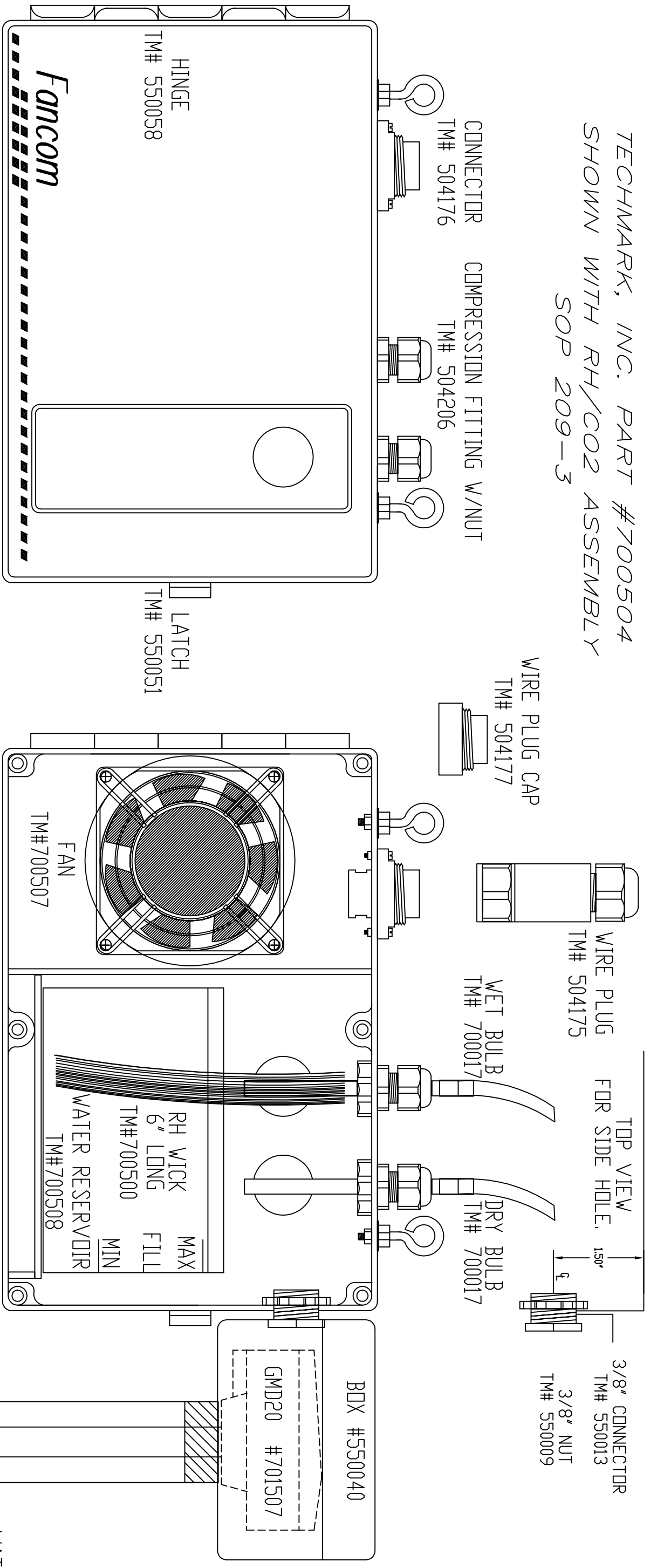


RH FAN ASSEMBLY

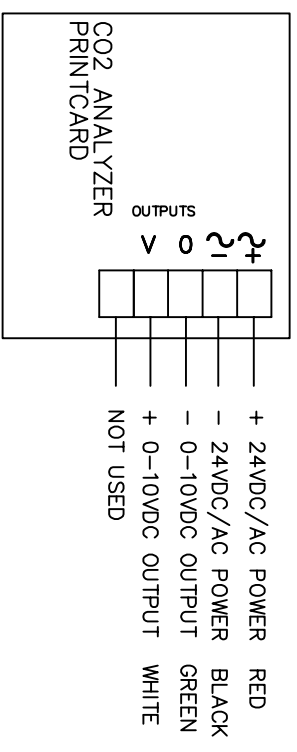
TECHMARK, INC. PART #700504
 SHOWN WITH RH/CO2 ASSEMBLY
 SOP 209-3

KEY	QTY	PART NUMBER	DRWG. NO.	DESCRIPTION
-----	-----	-------------	-----------	-------------



QUICK DISCONNECT
 LOCATED AT TOP
 OF R.H. CANNISTER.

TOP VIEW
 CO2 ANALYZER TM# 701507



USE ONLY DISTILLED WATER
 RH CAPILLARY STRANDS MUST BE AROUND WET BULB
 DO NOT KINK WICK

USE ONLY 4 CONDUCTOR SHIELDED WIRE #509002
 PLACE DUCT-SEAL IN ACCESS HOLE TO CO2 ANALYZER



DRAWING TITLE
 RH / CO2 PARTS LIST

- RED - PIN #1 24VAC
- BLACK - PIN #3 24VAC
- WHITE - PIN #2 POS
- GREEN - PIN #4 COMM
- 18-20" - TWISTED 4 CONDUCT WIRE #509002

REV	NUMBER	DESCRIPTION OF CHANGE	DATE	CK'D	DD	DDT	SCALE
A		RELEASED	3/19/2010				

TOLERANCE UNLESS NOTED		WEIGHT		MATERIAL	
DECIMAL	± .063	SCALE	NTS	FINISH	
HOLE DIA.	± .010	DRAWN	DATE	SHEET 1 OF 1	
ANGLES	± 1°	CHECKED	3/19/2010	DRAWING NUMBER	
MACH. FINISH	✓	PRD ENG		RH PARTS	